

# Number Plate Light

## BL-310MC

### BRITE LED TECH PRODUCT

Registered Design / Registered patent No: 2009100062

Water Proof, Shock Proof, Vibration Proof, Rust Proof

**5 Years Warranty**

**Complies With ADR 47/00 and ADR 48/00**

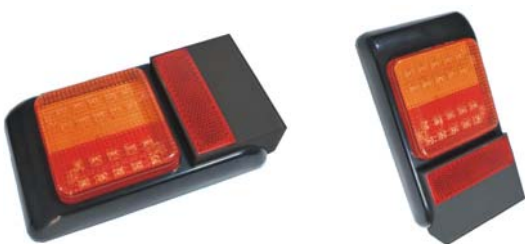
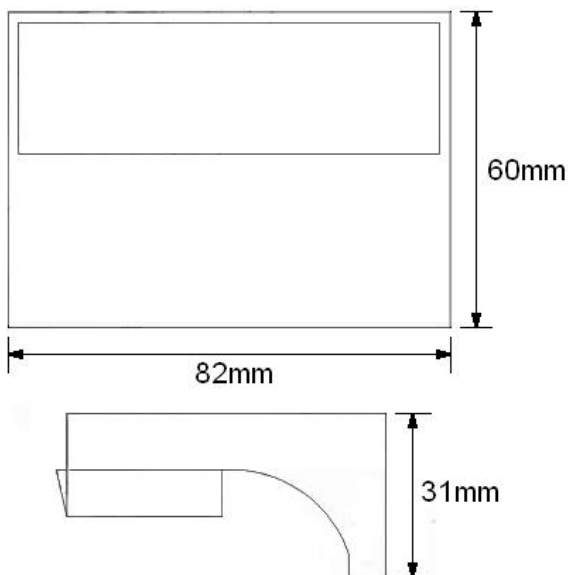
Number Plate Lamp 60mm x 82mm x 31mm 6 White Piranha Style LED's Chrome Base with built in reflector and each unit supplied with 400mm of wire hardwired to lamp.

1 unit per Blister pack.

Ideal for Bus, Car, Caravans, Trailers, Truck

**Suits fitment for BL-202, BL-207 and BL-210 series lamps**

<b>Length</b>	60mm
<b>Width</b>	82mm
<b>Height</b>	31mm
<b>Voltage</b>	12 and 24 Volt
<b>Power Draw Tested @ 13.8 V</b>	0.04 Amps
<b>Pieces Per Card</b>	1 Unit
<b>Packing</b>	Blister Packed on Card



Vertical or horizontal fitment should have 100mm spacing between number plate and BL-310m to comply with ADR

Remove reflector from lamp and clip in new 310M number plate light, you can then mount your number plate beside led lamp for illumination