

Stop/Tail & Indicator – Amber & Red

BL-202MC

BRITE LED TECH PRODUCT

Certified Design registration number : 319855

Water Proof, Shock Proof, Vibration Proof, Rust Proof

5 Years Warranty

Complies With ADR 47/00, 49/00 and 6/00 Cat 2a

CRN Numbers: Indicator 42380, Stop/Tail 42382, Reflector 42397

Amber/Red Stop/Tail Indicator Multi volt 12volt / 24volt unit with 72 LED's 36 Amber / 36 Red
2 Outer Red Reflectors with Chrome Base 304mm x 100mm x 47mm with 400mm of wire fitted to each led module, comes with stainless steel screws, nuts and bolts.

Chrome mounting base supplied to make ease of fitment and to hide wires and mounting screws.

1 unit per Blister pack.

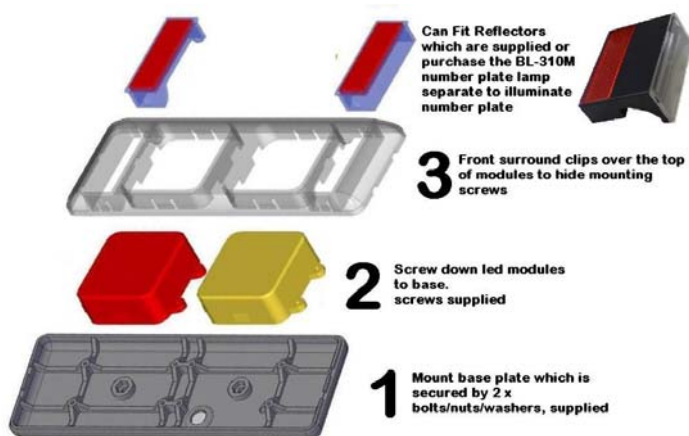
***Can remove either red reflector to fit new BL-310M number plate Lamp**

Ideal for: Bus, Car, Caravans, Trailers, Truck

Length 304mm
Width 100mm
Height 47mm
Voltage 12 Volt And 24 Volt

Power Draw Tested @ 13.8 V Indicator 0.28 Amps 0.02 Amps
Stop 0.33Amps & Tail 0.02 Amps

Pieces Per Card 1 Unit
Packing Blister Packed on Card



BL-202 MOUNTING INSTRUCTIONS