

# Interior/Exterior Dome Lamp

**BL-105WWSM-1**

## **BRITE LED TECH PRODUCT**

Shock Proof, Vibration Proof, Rust Proof, Water Proof

**5 Years Warranty**

Interior/Exterior M/Volt 91 SMD Dome Lamp with no switch 143mm x 38mm

91 Warm White SMDs gives a wide 120 degree spread beam of light

White Bezel surface mount lamp with resin sealed backing making full Waterproof.

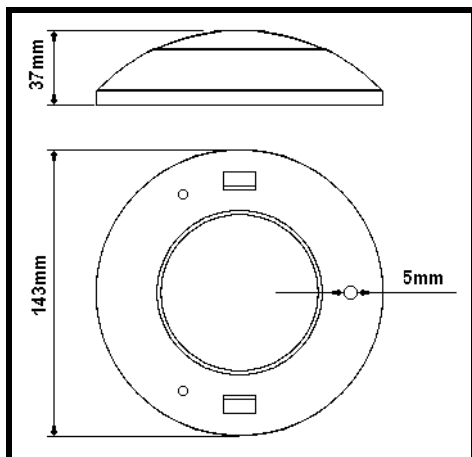
Each unit supplied with 400mm of wire hardwired to rear of lamp.

Can wire lamp to be switched On/Off at separate switch

1 unit per Blister pack.

Ideal for Boats, Bus, Car, Caravans, 4wd, Truck

<b>Diameter</b>	143mm
<b>Height</b>	38mm
<b>Voltage</b>	12 Volt and 24 Volt
<b>White Power Draw Tested @ 13.8 V</b>	0.48 Amps
<b>Pieces Per Card</b>	1 Unit
<b>Packing</b>	Blister Packed on Card



Warm White

