

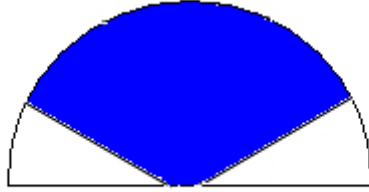
Interior Dome Lamp

BL-105CWSM

BRITE LED TECH PRODUCT

Shock Proof, Vibration Proof, Rust Proof

5 Years Warranty



Main Beam at 120 Degree

Light output Commonly compared to a 60w Halogen lamp

Interior M/Volt 91 SMD Dome Lamp with On/Off/Door switch 143mm x 38mm

91 Cool White SMDs gives a wide 120 degree spread beam of light

White Bezel surface mount lamp with resin sealed backing.

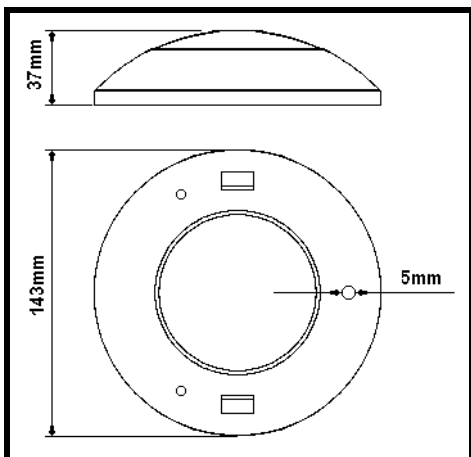
Each unit supplied with 400mm of wire hardwired to rear of lamp.

Can wire lamp to be switched On/Off at separate switch as well as being able to switch On/Off at lamp itself

1 unit per Blister pack.

Ideal for Boats, Bus, Car, Caravans, 4wd, Truck

Diameter	143mm
Height	38mm
Voltage	12 Volt and 24 Volt
White Power Draw Tested @ 13.8 V	0.48 Amps
Pieces Per Card	1 Unit
Packing	Blister Packed on Card



Cool White

