

Dome Lamp – White Base

BL-103WWSM

BRITE LED TECH PRODUCT

Water Proof, Shock Proof, Vibration Proof, Rust Proof

5 Years Warranty

M/Volt 10-30v Dome Lamp 75mm x 18mm with White Bezel.

Lamp has 30 Warm White SMDs with a beam spread of 120 degree

Surface mount led lamp with resin sealed backing making them fully Submersible.

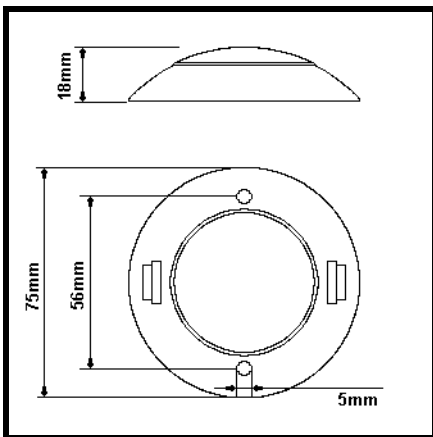
Each unit supplied with 400mm of wire hardwired.

1 unit per Blister pack.

Ideal for Boats, Bus, Car, Caravans, 4wds, Trucks, etc

Diameter	75mm
Height	18mm
Voltage	12 Volt and 24 Volt
White Power Draw Tested @ 13.8 V	0.16 Amps
Pieces Per Card	1 Unit
Packing	Blister Packed on Card

White Power Draw Tested @ 13.8 V



Warm White

