

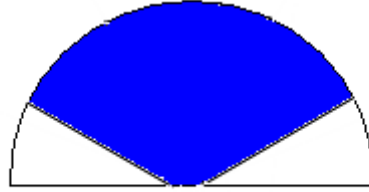
Night Vision Red/White Lamp – Chrome Base

BL-103WWRSMC

BRITE LED TECH PRODUCT

Water Proof, Shock Proof, Vibration Proof, Rust Proof

5 Years Warranty



Main Beam at 120 Degree

White Light output Commonly compared to a 10w Halogen lamp
Red Light output Commonly compared to a 10w Halogen lamp

M/Volt 10-30v Night Vision Courtesy Lamp 75mm x 18mm, can wire red and warm white light sections separate so you can switch between either colour light needed.

Ideal for areas where wanting a red light that doesn't effect your night vision when going from a lit area to darkness such as walking from in boat cabin to outside but also lamp offers the choice of having a warm white light for when you are staying in the lit area and need as much warm white light as possible.

15 Warm White SMDs and 15 Red SMDs with Chrome Bezel

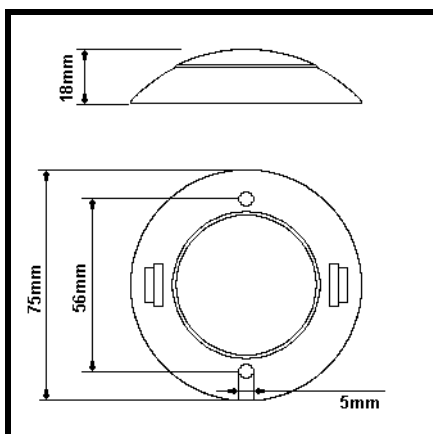
Surface mount led lamp with resin sealed backing making them fully Submersible.

Each unit supplied with 400mm of wire hardwired.

1 unit per Blister pack.

Ideal for Boats, Bus, Car, Caravans, 4wds, Trucks, etc

Diameter	75mm
Height	18mm
Voltage	12 Volt and 24 Volt
White Power Draw Tested @ 13.8 V	0.08 Amps
Red Power Draw Tested @ 13.8 V	0.05 Amps
Pieces Per Card	1 Unit
Packing	Blister Packed on Card



Red

