

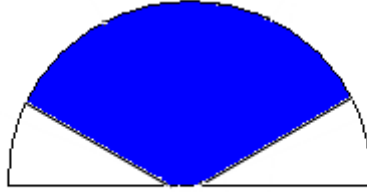
Courtesy Lamp – White Base

BL-103WM

BRITE LED TECH PRODUCT

Water Proof, Shock Proof, Vibration Proof, Rust Proof

5 Years Warranty



Main Beam at 120 Degree

Light output Commonly compared to a 10w Halogen lamp

Courtesy Lamp 75mm x 18mm 6 Warm White Piranha LED's with White Bezel, surface mount led lamp with resin sealed backing making fully submersible.

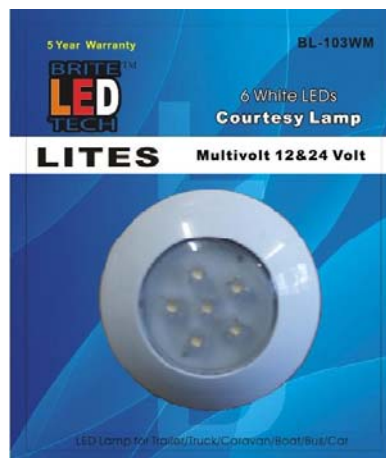
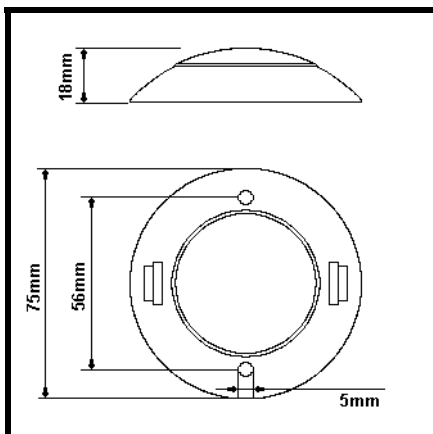
Multi volt suits either 12v or 24v applications

Each unit supplied with 400mm of wire hardwired.

1 unit per Blister pack.

Ideal for Boats, Bus, Car, Caravans, Trailers, Truck

Diameter	75mm
Height	18mm
Voltage	12 and 24 Volt
Power Draw Tested @ 13.8 V	0.05 Amps
Pieces Per Card	1 Unit
Packing	Blister Packed on Card



Features:

- *Overall size: 75x18mm
- *400mm of Wire
- *6 White LEDs
- *White Bezel
- *Multivolt 12&24 Volt Applications
- *Super bright LEDs, more vivid colour and clear visible light
- *Lower power consumption
- *Less Heat Produced
- *Quick Response to illuminate
- *Easy Installation
- *Fully Submersible
- *Full 5 Year Replacement Warranty on this product

Stainless steel fittings supplied

Waterproof, Shockproof, Vibrationproof, Rustproof

INSTALLATION:

Wiring Diagram
White - Earth
Red - Power

WWW.BRITELEDTech.COM